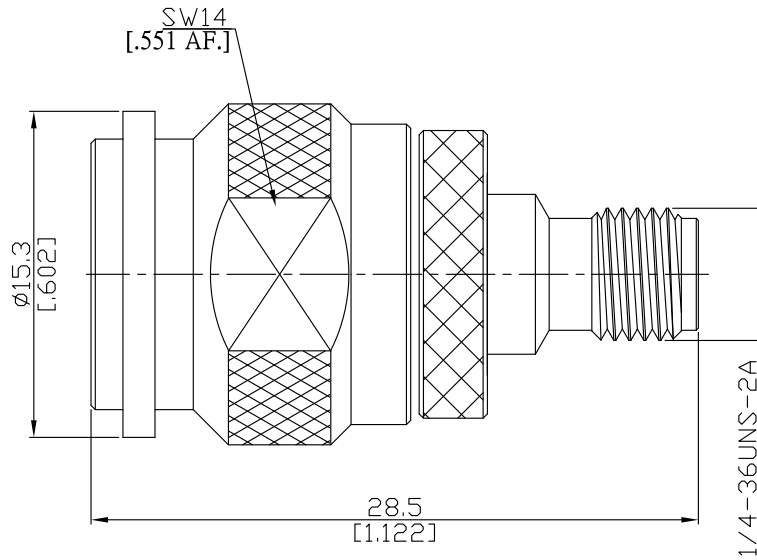


Adaptor plug/jack
TNC plug (male) / SMA jack (female)

AD-T1A25A/944-91



All dimensions are in mm [inch]
Tolerances according to DIN ISO 2768-mH

Interface

According to MIL-C-39012; MIL-STD-348A/313
MIL-C-39012; MIL-STD-348A/310

Electrical Data

Impedance 50 Ω
Frequency DC to 18 GHz
VSWR (Return Loss) ≤ 1.30 (≥ 17.69 dB)
Insertion Loss ≤ 0.1 × √F [GHz] dB

Mechanical Data

Coupling mechanisms TNC (Screw-lock); SMA (Screw-lock)
Weight 0.0180 kg

Environmental Data

Temperature range -65°C to +165°C
RoHS compliant

Material And Plating

Piece Parts (TNC)	Material	Plating
Centre contact	Beryllium Copper	Gold plating (without nickel underplating)
Body	Brass	Copper-Tin-Zinc Alloy
Insulator	PTFE	
Gasket	Silicone Rubber	
Coupling nut	Brass	Copper-Tin-Zinc Alloy
Piece Parts (SMA)	Material	Plating
Centre contact	Beryllium Copper	Gold plating (without nickel underplating)
Body	Brass	Gold plating (without nickel underplating)
Insulator	PTFE	

Packing

Single or 100